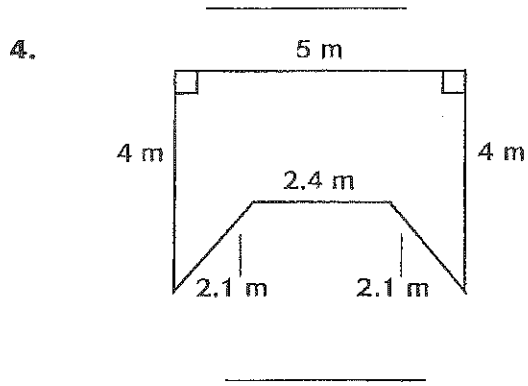
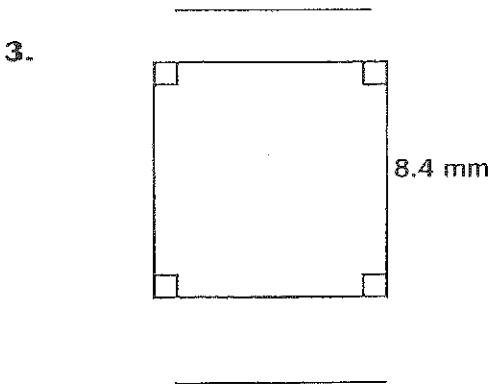
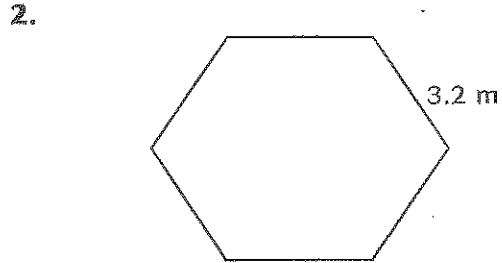
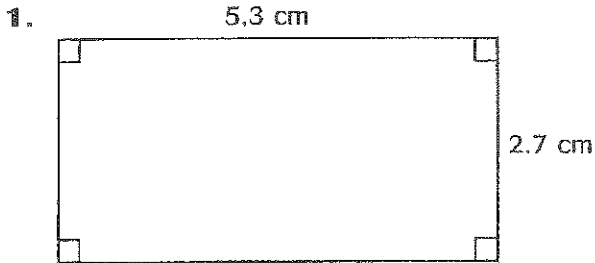


Name _____

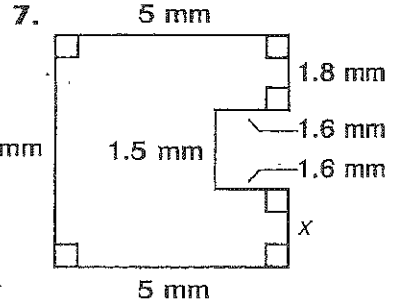
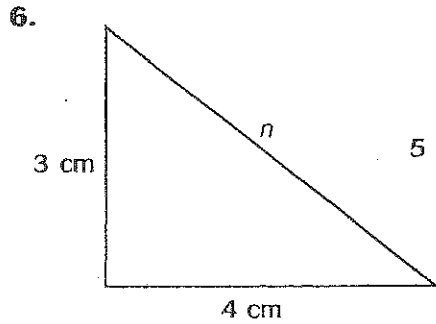
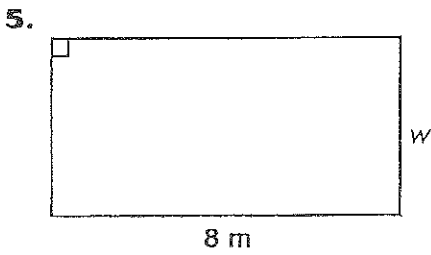
Perimeter

P 11-11

Find the perimeter of each figure.



Find each missing measurement.



$P = 25 \text{ m}$
 $w = \underline{\hspace{2cm}}$

$P = 12 \text{ cm}$
 $n = \underline{\hspace{2cm}}$

$x = \underline{\hspace{2cm}}$
 $P = \underline{\hspace{2cm}}$

Find the perimeter of each rectangle or square.

8. $l = 45 \text{ cm}, w = 20 \text{ cm}$

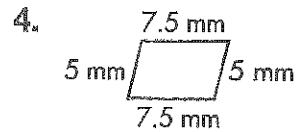
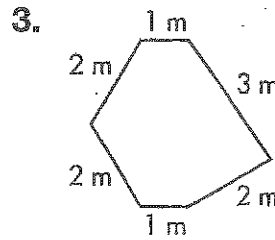
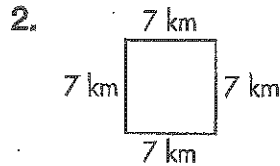
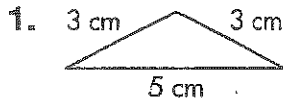
9. $l = 16 \text{ m}, w = 14 \text{ m}$

10. $s = 34 \text{ mm}$

Name _____

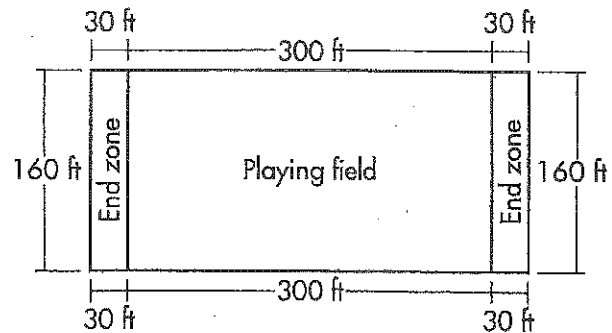
Finding Perimeter

Find the perimeter of each figure.



5. **Number Sense** What is the perimeter of a square if one of the sides is 3 mi? _____

The dimensions of a football field are shown at the right.

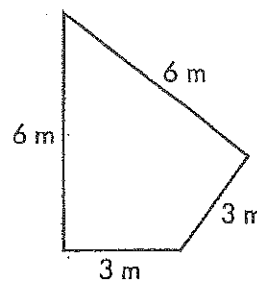


6. What is the perimeter of the entire football field including the end zones?

7. What is the perimeter of each end zone?

8. What is the perimeter of this figure?

- A 18 m B 15 m
C 12 ft D 10 ft



9. **Explain It** A rectangle has a perimeter of 12 m. If each side is a whole number of meters, what are the possible dimensions for the length and width? List them and explain your answer.

